



SYSTEM A2 model H14

Belt scale controller with Flow Indication and Totalising



SYSTEM A2 model H14 controller

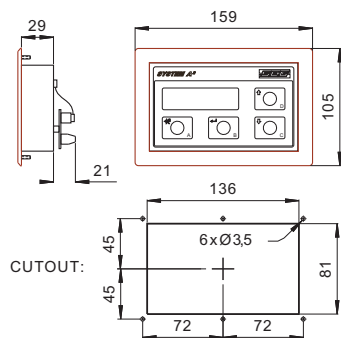
The SEG System A2 is an electronic belt scale controller for weighing. Model H14 is designed for totalising and indication of flowrate for belt conveyors. Versions for panel mount and wall mounting available.

Benefits

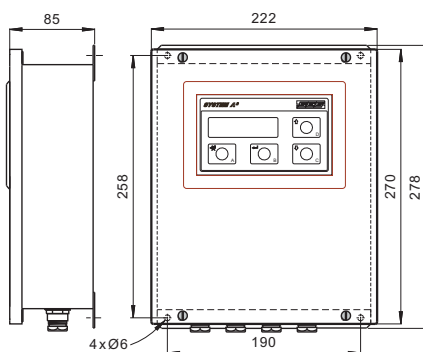
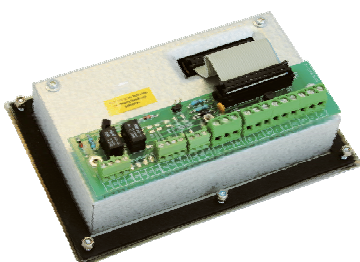
- 24vdc power supply (230vac optional)
- 4-20mA isolated output (Flow rate)
- RS-485 serial port (RS-232 connection for printer only)
- Modbus (RTU, ASCII)
- 2x16 character text display with Backlight
- 2 Relay Outputs for External Totaliser, Belt running, etc.
- Permanently stored data in flash memory
- Real-time clock

Features

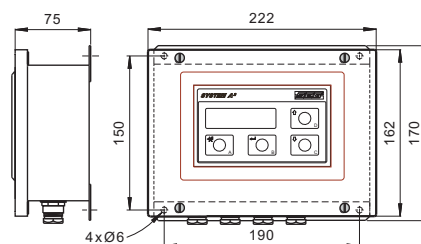
- Indication of Total, SubTotal and Flow Rate
- Stand alone or Remote operation
- Two separate internal totalisers
- Printout
- Intelligent zero-setting when belt is empty
- Easy to use start-up and re-calibration procedures
- Optional fieldbus connection; Profibus, CANopen, Devicenet etc.



Panel mount, type -P
weight: 0,5kg



Field enclosure type -W
weight: 3,0kg



Field enclosure type -V
weight: 2,5kg



Design

Frontpanel: Stainless steel frame with integrated keypad.
Protection: Splashproof NEMA 4 / IP65.

Rear cover: Aluminium-zink metal.
Protection: IP55.

Field enclosures: Stainless steel SIS2333.
Protection: NEMA 4 / IP65.
Cable entry: 4 x dia.19 holes w. PG11 metal glands,
1 x dia. 22,5 hole.

Display & control

Display: LCD 2x16 character, 5,5mm w. backlight.
Control: 4-key local keypad or via RS485 com port.
Memory: Battery back-up + Non-volatile FLASH memory.
Set-up: Interactive via local keypad software.

Power supply

Standard: 24Vdc, 5W.
Protection: Fuse (internal)
Optional: External 90-250VAC / 24VDC (PW-24).

Connection

Terminal strip: 12 x 2,5 mm² max (AWG 16)
for stranded wire. (Terminals: 1-6, V+, V-).
11 x 1,5 mm² max (AWG 18)
for stranded wire. (Terminals: 21-52).

Input

Load Cell: 4- or 6-wire system with sense inputs, 0,3-45mVdc
Digital (2) Closing contact. Printout with zeroset of subtotal.
Speed sensor type S-E-G or NPN prox.switch.

Output

Load Cell, Exc.: 12Vdc nominal
Max. load: 140 mA (~85 Ω)
Min. load: 1000 Ω
Relays (2): Dry contact N.O. 24Vdc / 1A.
(Totaliser pulse and programmable functions)
Analog: Isolated 4-20mA, max 350Ω, 12-bit resolution.
(Flowrate)

Communication port

Port (1): RS485, Modbus RTU, ASCII

Environmental

Location: Indoor/outdoor
Operation: -10 to +50 °C
Storage: -20 to +70 °C

Approvals

CE EN 61000-4-3 (2006) and EN 55022 (1998) + A1 +A2

Pb 2002/95/EC - RoHS

Marking of electrical and electronic equipment in accordance with Directive 2002/96/EC (WEEE)

ORDER INFO

A2-N-2-P-H14-xx* System A2, normal Class, panelmounting, model H14 beltscale controller.
A2-N-2-W-H14-xx* System A2, normal Class, with enclosure type -W for wallmounting, model H14 beltscale controller.
A2-N-2-V-H14-xx* System A2, normal Class, with enclosure type -V for wallmounting, model H14 beltscale controller.

-xx* Language selection: -GB or -S. Other languages to come.

PW-24 Optional power supply, 90-250VAC/24VDC 25W. Fits inside field enclosure type -V and -W.
FB-zz Optional fieldbus converters for DIN-rail, -PDP (Profibus), -CAN (Canopen) etc. Fits inside field enclosure type -W only.
TB-230 Optional terminal board with 250VAC/3A output relays. (Direct replacement for existing terminal board).